



**FITTING INSTRUCTIONS FOR CP0406BL/WH NO-CUT AERO CRASH
PROTECTORS
YAMAHA MT-03 2016/ MT-25 2015-**

Page | 1



PICTURE 'A'



PICTURE 'B'



PICTURE 'C'

**THIS KIT CONTAINS THE ITEMS PICTURED AND LABELLED BELOW.
DO NOT PROCEED UNTIL YOU ARE SURE ALL PARTS ARE PRESENT.**

Please note that the way the kit is packed does not necessarily represent the way of mounting to the bike

Please note that in cases where kits are packed with rubber washers holding the components onto the bolt – *the rubber washers should be thrown away!*

THE PARTS SHOWN MAY BE REPRESENTATIVE ONLY (FOR CLARITY OF INSTRUCTIONS ONLY)

Digital copies of these instructions are available to download from www.rg-racing.com

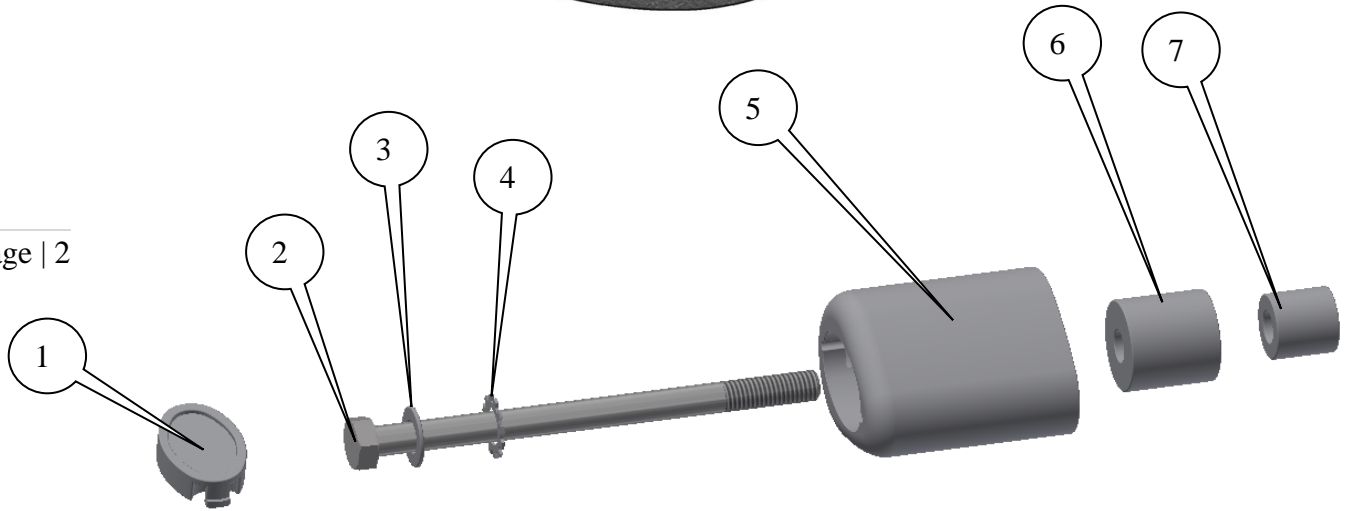
GENERAL TORQUE SETTINGS

M4 BOLT = 8Nm
M5 BOLT = 12Nm
M6 BOLT = 15Nm
M8 BOLT = 20Nm
M10 BOLT = 40Nm

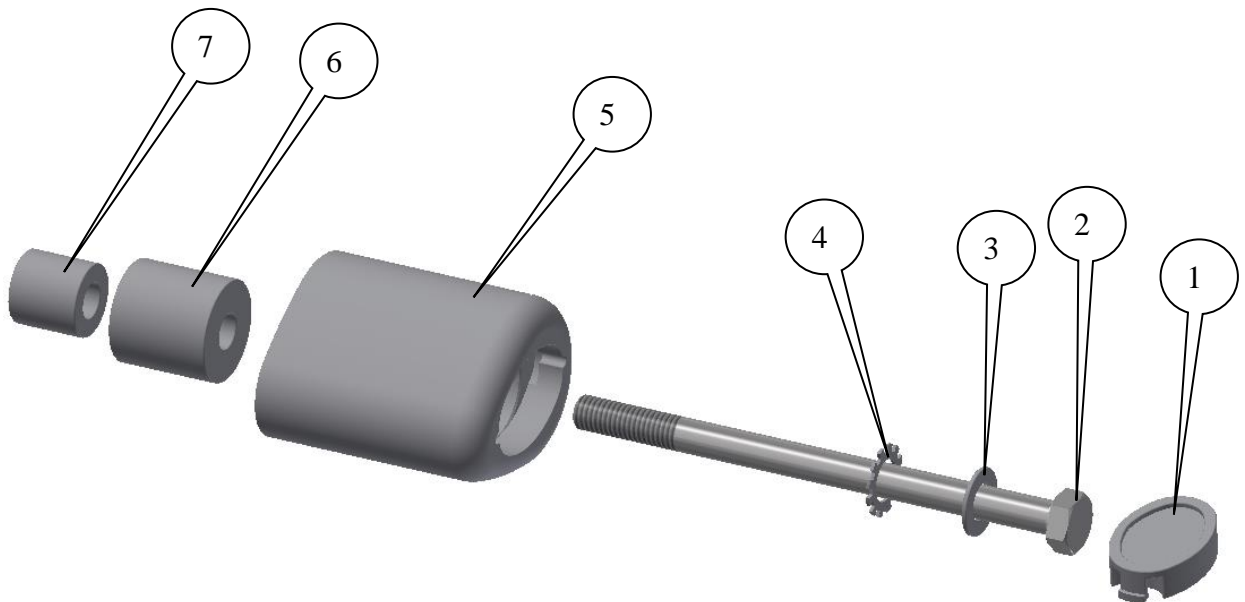
R&G Racing

Unit 1 Shelleys Lane, East Worldham, Alton, Hants GU34 3AQ

Tel: +44 (0)1420 89007 Fax: +44 (0)1420 87301 www.rg-racing.com Email: info@rg-racing.com



LEFT HAND SIDE ASSEMBLY



RIGHT HAND SIDE ASSEMBLY

R&G Racing

Unit 1 Shelleys Lane, East Worldham, Alton, Hants GU34 3AQ

Tel: +44 (0)1420 89007 Fax: +44 (0)1420 87301 www.rg-racing.com Email: info@rg-racing.com



TOOLS REQUIRED

- Socket set to include 17mm A/F socket and wrench.
 - Set of Allen keys.
- Torque wrench (up to 40Nm).

Page | 3

LEGEND

ITEM 1 = CRASH PROTECTOR CAPS, L&RHS (BC0002) (x2).

ITEM 2 = CRASH PROTECTOR BOLTS, M10x1.25x150mm LONG HEX HEAD BOLTS, L&RHS (x2).

ITEM 3 = M10 PLAIN WASHERS, L&RHS (x2).

ITEM 4 = LOCKING WASHERS, L&RHS (LW0001) (x2).

ITEM 5 = CRASH PROTECTORS, L&RHS (B0061 with CS341, 10mm) (x2).

ITEM 6 = CRASH PROTECTOR SPACERS, L&RHS, OUTER (S0831=30mm long) (x2).

ITEM 7 = CRASH PROTECTOR SPACERS, L&RHS, INNER (S0830=21mm long) (x2).

FITTING INSTRUCTIONS

Near side (left side as you sit on bike)

- Remove the bolt in position arrowed in picture 'A' on page 1.
- Place one of the plain washers (item 3) onto one of the hex headed bolts (item 2) as shown in the left hand side assembly.
- Place one of the locking washers (item 4) over the bolt and against the washer just fitted as shown in the left hand side assembly.
- Place the bolt with both washers through one of the crash protectors (item 5) as shown in the left hand side assembly.
- Place one of the larger spacers (item 6=30mm long) over the exposed end of the bolt and against the crash protector as shown in the left hand side assembly.
- Place one of the smaller spacers (item 7=21mm long) over the exposed end of the bolt and against the larger spacer just fitted as shown in the left hand side assembly.
- Offer this assembly into position as shown in picture 'A' on page 1. Finally tighten the crash protector bolts until you feel some compression from inside the protector using 17mm socket and wrench. **PLEASE NOTE THE CRASH PROTECTOR MUST BE POSITIONED AS IN PICTURE 'C' WITH BIGGER END TOWARD FRONT OF BIKE.** Turn a little more so that you feel the compression increase slightly. Then apply a quarter turn. Do not over tighten as damage can occur to the bike. Do not exceed 40 N/m of torque.
- If not already fitted, fit bubble sticker into recess of crash protector cap (item 1).
- Fit crash protector cap (item 1) into the crash protector.

Off side (right side as you sit on bike)

- Remove the bolt in position arrowed in picture 'B' on page 1.
- Place the remaining plain washer (item 3) onto the remaining hex headed bolt (item 2) as shown in the right hand side assembly.
- Place the remaining locking washer (item 4) over the bolt and against the washer just fitted as shown in the right hand side assembly.

R&G Racing

Unit 1 Shelleys Lane, East Worldham, Alton, Hants GU34 3AQ

Tel: +44 (0)1420 89007 Fax: +44 (0)1420 87301 www.rg-racing.com Email: info@rg-racing.com



- Place the bolt with both washers through the remaining crash protector (item 5) as shown in the right hand side assembly.
- Place the remaining larger spacer (item 6=30mm long) over the exposed end of the bolt and against the crash protector as shown in the right hand side assembly.
- Place the remaining smaller spacer (item 7=21 mm long) over the exposed end of the bolt and against the larger spacer just fitted as shown in the right hand side assembly.
- Offer this assembly into position as shown in picture 'B' on page 1. Finally tighten the crash protector bolts until you feel some compression from inside the protector using 17mm socket and wrench. **PLEASE NOTE THE CRASH PROTECTOR MUST BE POSITIONED AS IN PICTURE 'C' WITH BIGGER END TOWARD FRONT OF BIKE.** Turn a little more so that you feel the compression increase slightly. Then apply a quarter turn. Do not over tighten as damage can occur to the bike. Do not exceed 40 N/m of torque.
- If not already fitted, fit bubble sticker into recess of crash protector cap (item 1).
- Fit crash protector cap (item 1) into the crash protector.

ISSUE 1 13/07/2016 (NSY)

CONSUMER NOTICE

The catalogue description and any exhibition of samples are only broad indications of the Products and R&G may make design changes which do not diminish their performance or visual appeal and supplying them in such state shall conform to the order. The Buyer acknowledges no representation or warranty (other than as to title) has been given or will apply to the Products other than those in R&G's order or confirmation and the Buyer confirms it has chosen the Products as being of merchantable quality and suitable for its particular purposes. Where R&G fits the Products or undertakes other services it shall exercise reasonable skill and care and rectify any fault free of charge unless the workmanship has been disturbed. The Buyer is responsible for ensuring that the warranty on the motorcycle is not affected by the fitting of the Products. On return of any defective Products R&G shall at its option either supply a replacement or refund the purchase money but shall not be liable if the Products have been modified or used or maintained otherwise than in accordance with R&G's or manufacturer's instructions and good engineering practice or if the defect arises from accident or neglect. Other than identified above and subject to R&G not limiting its liability for causing death and personal injury, it shall not be liable for indirect or consequential loss and otherwise its liability shall be limited to the amounts paid by the Buyer for the Products or the fitting or service concerned. These terms do not affect the Buyer's statutory rights.

R&G RACING RETURNS POLICY (NON-FAULTY GOODS)

Returns must be pre-authorised (if not pre-authorised the return will be rejected). Goods may only be returned direct to us if they were purchased direct from us (customer must prove if necessary). Otherwise to be returned to original vendor. Goods must be in re-sellable condition, in the opinion of R&G Racing. All returns are subject to a 25% restocking and handling fee (25% of the gross value exc. P&P – at the prevailing price at time of purchase). The customer must pay any and all carriage charges. No returns of discontinued products, unless within 14 days of purchase. This policy does not affect your statutory rights and does not refer to faulty goods.

R&G Racing

Unit 1 Shelleys Lane, East Worldham, Alton, Hants GU34 3AQ

Tel: +44 (0)1420 89007 Fax: +44 (0)1420 87301 www.rg-racing.com Email: info@rg-racing.com



NOTICE DE MONTAGE CP0406BL/WH PROTECTIONS CRASH LATERALES
(SANS OUVERTURE)
YAMAHA MT-03 2016/ MT-25 2015-

Page | 5



PHOTO 'A'



PHOTO 'B'

ARRIERE MOTO



AVANT MOTO

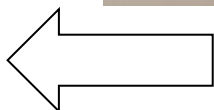
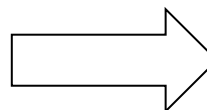


PHOTO C



LE KIT CONTIENT LES ARTICLES EXPOSES CI-DESSOUS, VERIFIER QUE TOUTES LES PIECES SOIENT PRESENTES AVANT DE PROCEDER AU MONTAGE.

LA FAÇON DONT LE KIT EST EMBALLE NE CORRESPOND PAS FORCEMENT A LA FAÇON DE MONTER LES PIECES SUR LA MOTO.

Notez que si les kits sont emballés avec des rondelles en caoutchouc servant à tenir les composants, *ces rondelles doivent être jetées.*

LES PARTIES PRESENTEES PEUVENT ETRE UNIQUEMENT REPRESENTATIVES (POUR LA CLARTE DES INSTRUCTIONS UNIQUEMENT).

Notice disponible au téléchargement sur www.rg-racing.com

R&G Racing

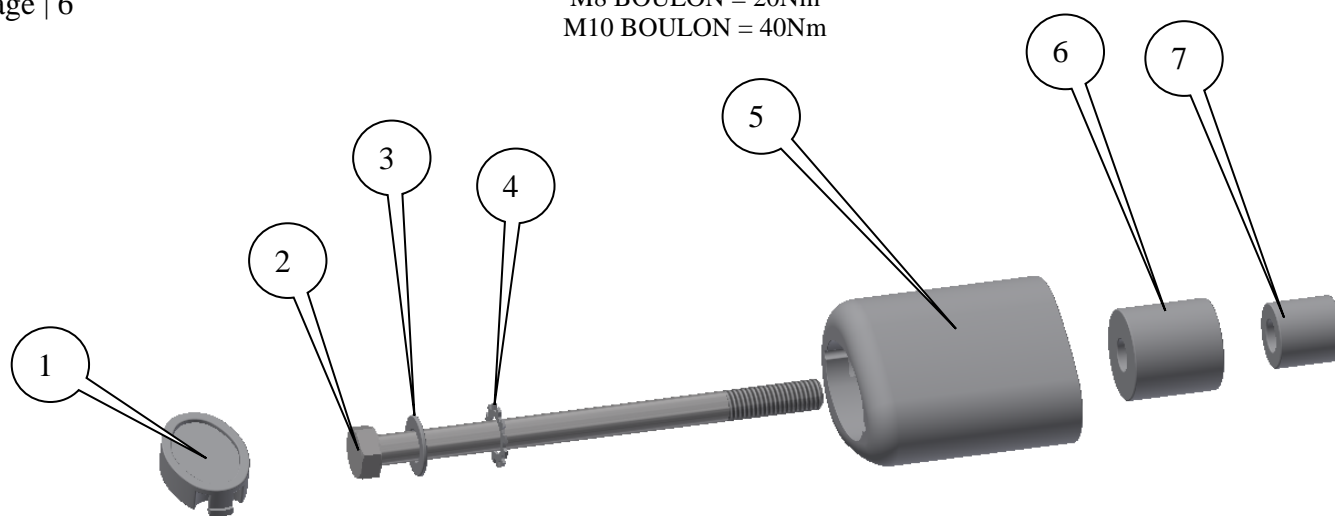
Unit 1 Shelleys Lane, East Worldham, Alton, Hants GU34 3AQ

Tel: +44 (0)1420 89007 Fax: +44 (0)1420 87301 www.rg-racing.com Email: info@rg-racing.com

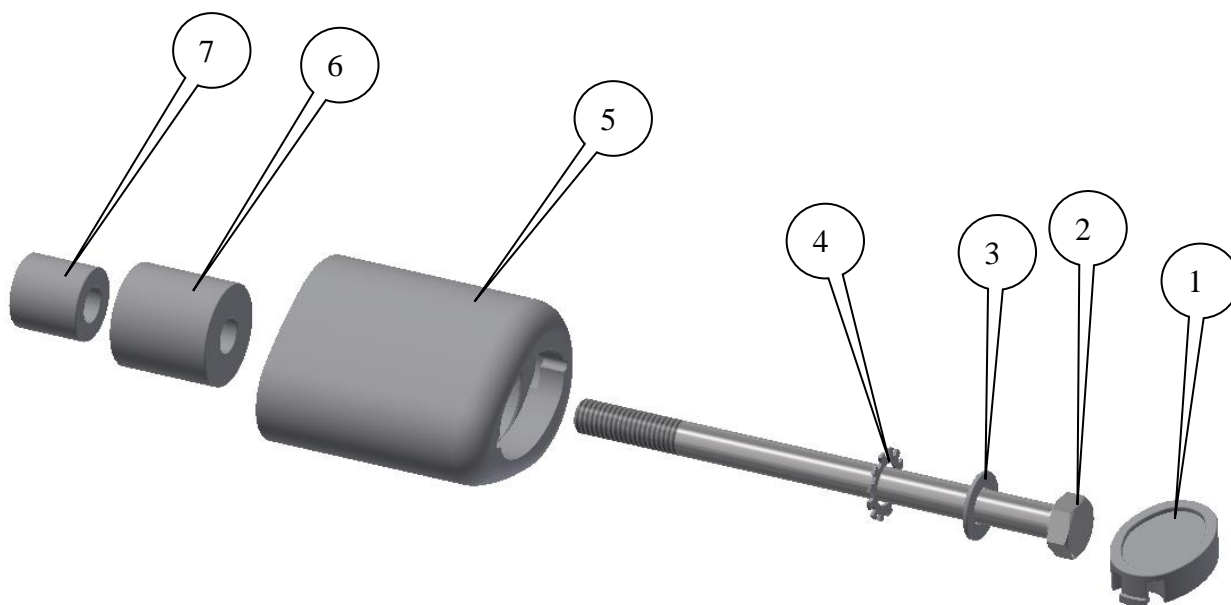


COUPLES DE SERRAGE RECOMMANDES

M4 BOULON = 8Nm
 M5 BOULON = 12Nm
 M6 BOULON = 15Nm
 M8 BOULON = 20Nm
 M10 BOULON = 40Nm



ASSEMBLAGE COTE GAUCHE



ASSEMBLAGE COTE DROIT



TOOLS REQUIRED

- Clés et douilles 17mm.
- Jeu de clés Allen.
- Clé dynamométrique (à 40Nm).

Page | 7

LEGENDE

ARTICLE 1 = CAPUCHONS DE PROTECTION CRASH, GAUCHE ET DROITE (BC0002) (x2).
 ARTICLE 2 = BOULONS DE PROTECTION CRASH, M10x1.25x150mm BOULONS, GAUCHE ET DROITE (x2).
 ARTICLE 3 = M10 RONDELLES, GAUCHE ET DROITE (x2).
 ARTICLE 4 = RONDELLES DE BLOCAGE, GAUCHE ET DROITE (LW0001) (x2).
 ARTICLE 5 = PROTECTIONS CRASH, GAUCHE ET DROITE (B0061 avec CS341, 10mm) (x2).
 ARTICLE 6 = ENTRETOISES DE PROTECTION CRASH, GAUCHE ET DROITE, EXTERIEUR (S0831=30mm de long) (x2).
 ARTICLE 7 = ENTRETOISES DE PROTECTION CRASH, GAUCHE ET DROITE, INTERIEUR (S0830=21mm de long) (x2).

NOTICE DE MONTAGE

Coté gauche (assis sur la moto)

- Enlever le boulon dans la position indiquée sur la photo 'A' page 1.
- Placer une des rondelles (article 3) sur un des boulons (article 2) voir assemblage du coté gauche.
- Placer une des rondelles de blocage (article 4) sur le boulon et contre la rondelle tout juste insérée, voir assemblage du coté gauche.
- Placer le boulon avec ses 2 rondelles dans une des protections crash (article 5) voir assemblage du coté gauche.
- Placer une des entretoises (article 6=30mm de long sur l'extrémité du boulon et contre la protection crash, voir assemblage du coté gauche.
- Placer une des petites entretoises (article 7=21mm de long) sur l'extrémité du boulon et contre l'entretoise plus large tout juste insérée, voir assemblage du coté gauche.
- Monter l'ensemble en position, voir photo 'A', sur page 1. Enfin, serrer les boulons de protection crash jusqu'à ce que vous sentiez la compression s'accroître dans la protection, en utilisant une clé de 17mm. **LA PROTECTION DOIT ETRE POSITIONNEE COMME EN "C" AVEC LE COTE ARRONDI LE PLUS GROS EN DIRECTION DE L'AVANT DE LA MOTO.** Tourner un peu plus afin d'accroître légèrement la compression. Faire un quart de tour. Pas plus de 40 Nm de couple - Ne pas trop serrer, au risque d'abîmer les composants.
- Placer le sticker R&G dans le creux de capuchon de la protection (article 1).
- Insérer le capuchon de la protection (article 1) dans la protection.

Coté droit (assis sur la moto)

R&G Racing

Unit 1 Shelleys Lane, East Worldham, Alton, Hants GU34 3AQ

Tel: +44 (0)1420 89007 Fax: +44 (0)1420 87301 www.rg-racing.com Email: info@rg-racing.com



- Enlever le boulon dans la position indiquée sur la photo 'B' page 1.
- Placer la rondelle restante (article 3) sur le boulon restant (article 2) voir l'assemblage du coté droit.
- Placer la rondelle de blocage (article 4) sur le boulon et contre la rondelle tout juste insérée, voir assemblage du coté droit.
- Placer le boulon avec ses rondelles dans la protection crash restante (article 5) voir assemblage du coté droit.
- Placer l'entretoise restante (article 6=30mm de long) sur l'extrémité du boulon et contre la protection crash, voir assemblage du coté droit.
- Placer la petite entretoise restante (article 7=21mm de long) sur l'extrémité du boulon et contre l'entretoise plus large tout juste insérée, voir assemblage du coté droit.
- Monter l'ensemble en position, voir photo 'B', sur la page 1. Enfin, serrer les boulons de protection crash jusqu'à ce que vous sentiez la compression s'accroître dans la protection, en utilisant une pince de 17mm. **LA PROTECTION DOIT ETRE POSITIONNEE COMME EN "C" AVEC LE COTE ARRONDI LE PLUS GROS EN DIRECTION DE L'AVANT DE LA MOTO.** Tourner un peu plus afin d'accroître légèrement la compression. Faire un quart de tour. Pas plus de 40 Nm de couple - Ne pas trop serrer, au risque d'abîmer les composants.
- Placer le sticker R&G dans le creux de capuchon de la protection (article 1).
- Insérer le capuchon de la protection (article 1) dans la protection.

ISSUE 1 13/07/2016 (NSY)

CONSUMER NOTICE

The catalogue description and any exhibition of samples are only broad indications of the Products and R&G may make design changes which do not diminish their performance or visual appeal and supplying them in such state shall conform to the order. The Buyer acknowledges no representation or warranty (other than as to title) has been given or will apply to the Products other than those in R&G's order or confirmation and the Buyer confirms it has chosen the Products as being of merchantable quality and suitable for its particular purposes. Where R&G fits the Products or undertakes other services it shall exercise reasonable skill and care and rectify any fault free of charge unless the workmanship has been disturbed. The Buyer is responsible for ensuring that the warranty on the motorcycle is not affected by the fitting of the Products. On return of any defective Products R&G shall at its option either supply a replacement or refund the purchase money but shall not be liable if the Products have been modified or used or maintained otherwise than in accordance with R&G's or manufacturer's instructions and good engineering practice or if the defect arises from accident or neglect. Other than identified above and subject to R&G not limiting its liability for causing death and personal injury, it shall not be liable for indirect or consequential loss and otherwise its liability shall be limited to the amounts paid by the Buyer for the Products or the fitting or service concerned. These terms do not affect the Buyer's statutory rights.

R&G RACING RETURNS POLICY (NON-FAULTY GOODS)

Returns must be pre-authorized (if not pre-authorized the return will be rejected). Goods may only be returned direct to us if they were purchased direct from us (customer must prove if necessary). Otherwise to be returned to original vendor. Goods must be in re-sellable condition, in the opinion of R&G Racing. All returns are subject to a 25% restocking and handling fee (25% of the gross value exc. P&P – at the prevailing price at time of purchase). The customer must pay any and all carriage charges. No returns of discontinued products, unless within 14 days of purchase. This policy does not affect your statutory rights and does not refer to faulty goods.

R&G Racing

Unit 1 Shelleys Lane, East Worldham, Alton, Hants GU34 3AQ

Tel: +44 (0)1420 89007 Fax: +44 (0)1420 87301 www.rg-racing.com Email: info@rg-racing.com